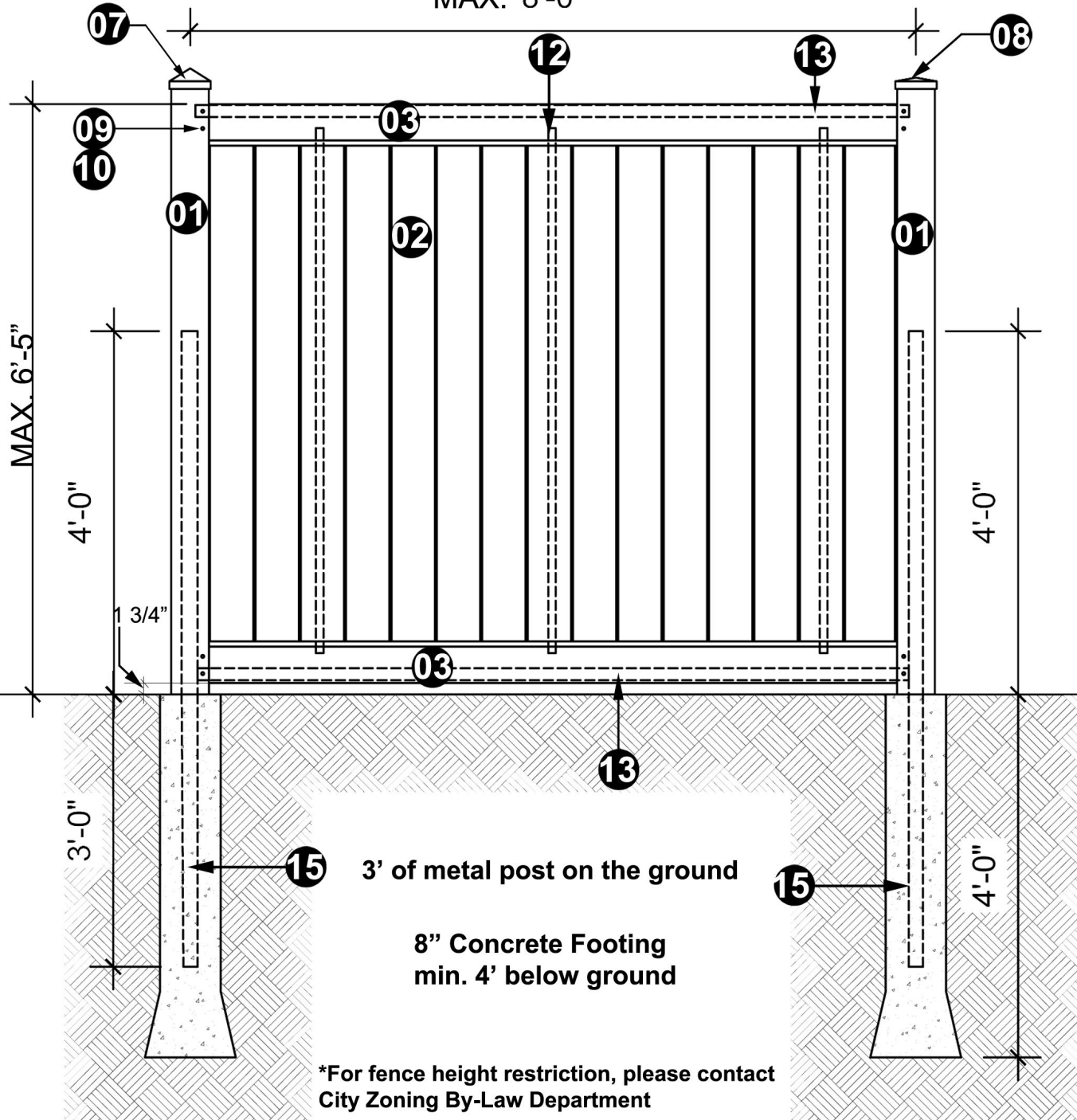


VINYL FENCE - VERTICAL BOARDS INSTALLATION - 6'5" HIGH X 8' WIDE

MAX. 8'-0"



- 01 - H-Post 5x5x9'
- 02 - Fence Board 6" x 70"
- 03 - Pocket Rail 94" - Top/Bottom
- 07 - Post Cap - Pyramid
- 08 - Post Cap-New England(Upgrade)
- 09 - Screw 1-1/2"
- 10 - Plug 3/8"
- 12 - Metal Stiffener 68-3/4"
(For Fence Boards) Optional Reinforcement
- 13 - Galvanized Steel Insert 94"
(For Pocket Rail)
- 15 - Galvanized Pipe 1 7/8" x 7'

COLORS AVAILABLE

Monocolor:



Dark Gray



Khaki

Multicolor:



Green Teak



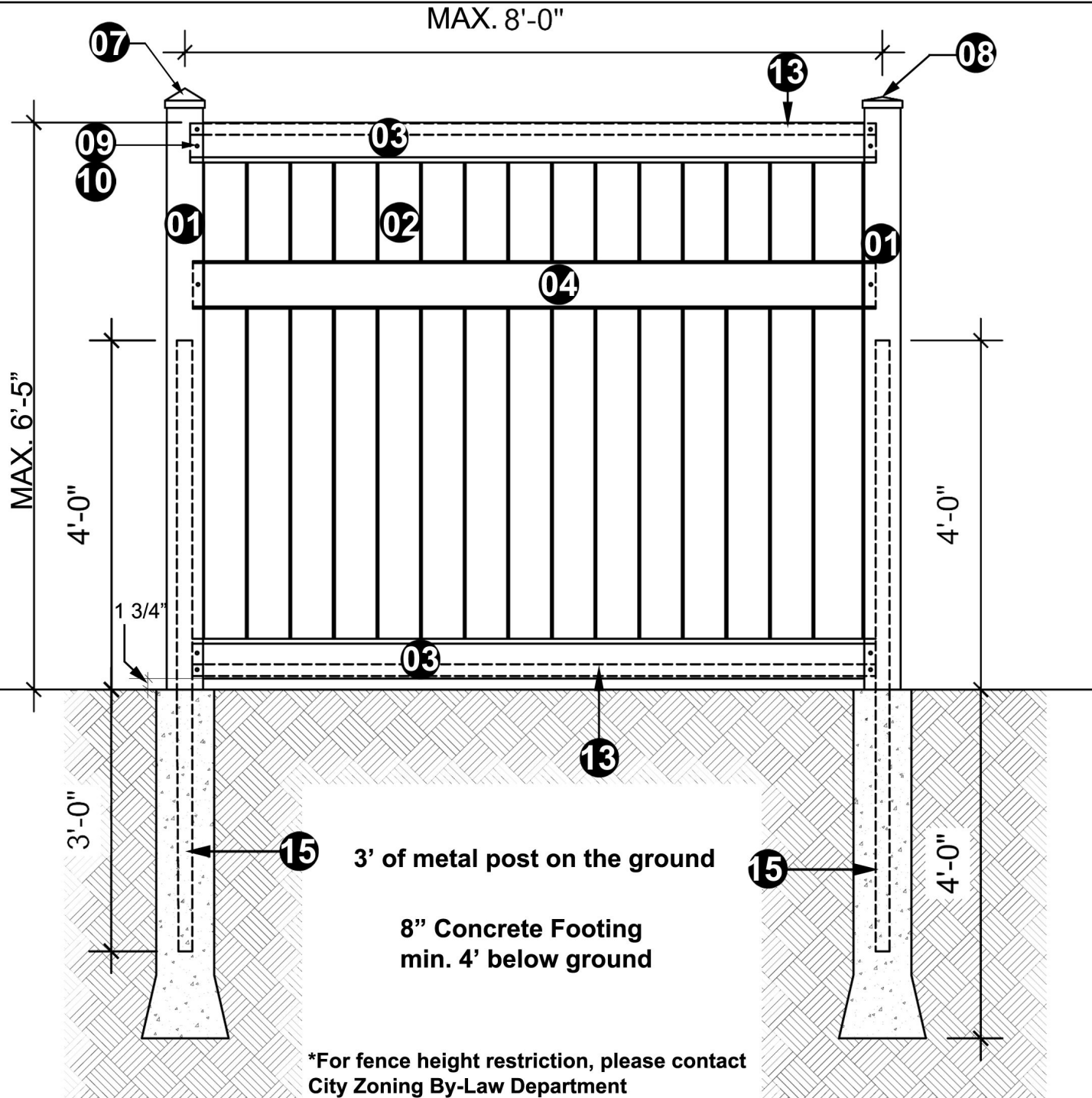
Chai Grey



Mocha Walnu

*For fence height restriction, please contact
City Zoning By-Law Department

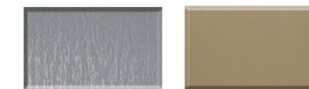
VINYL FENCE - VERTICAL BOARDS - WITH MID RAIL - 6'5" HIGH X 8' WIDE



- 01 - H-Post 5x5x9'
- 02 - Fence Board 6" x 70"
- 03 - Pocket Rail 94" - Top/Bottom
- 04 - Pocket Rail 94" - Mid Rail
- 07 - Post Cap - Pyramid
- 08 - Post Cap-New England(Upgrade)
- 09 - Screw 1-1/2"
- 10 - Plug 3/8"
- 13 - Galvanized Steel Insert 94"
(For Pocket Rail)
- 15 - Galvanized Pipe 1 7/8" x 7'

COLORS AVAILABLE

Monocolor:



Dark Gray

Khaki

Multicolor:



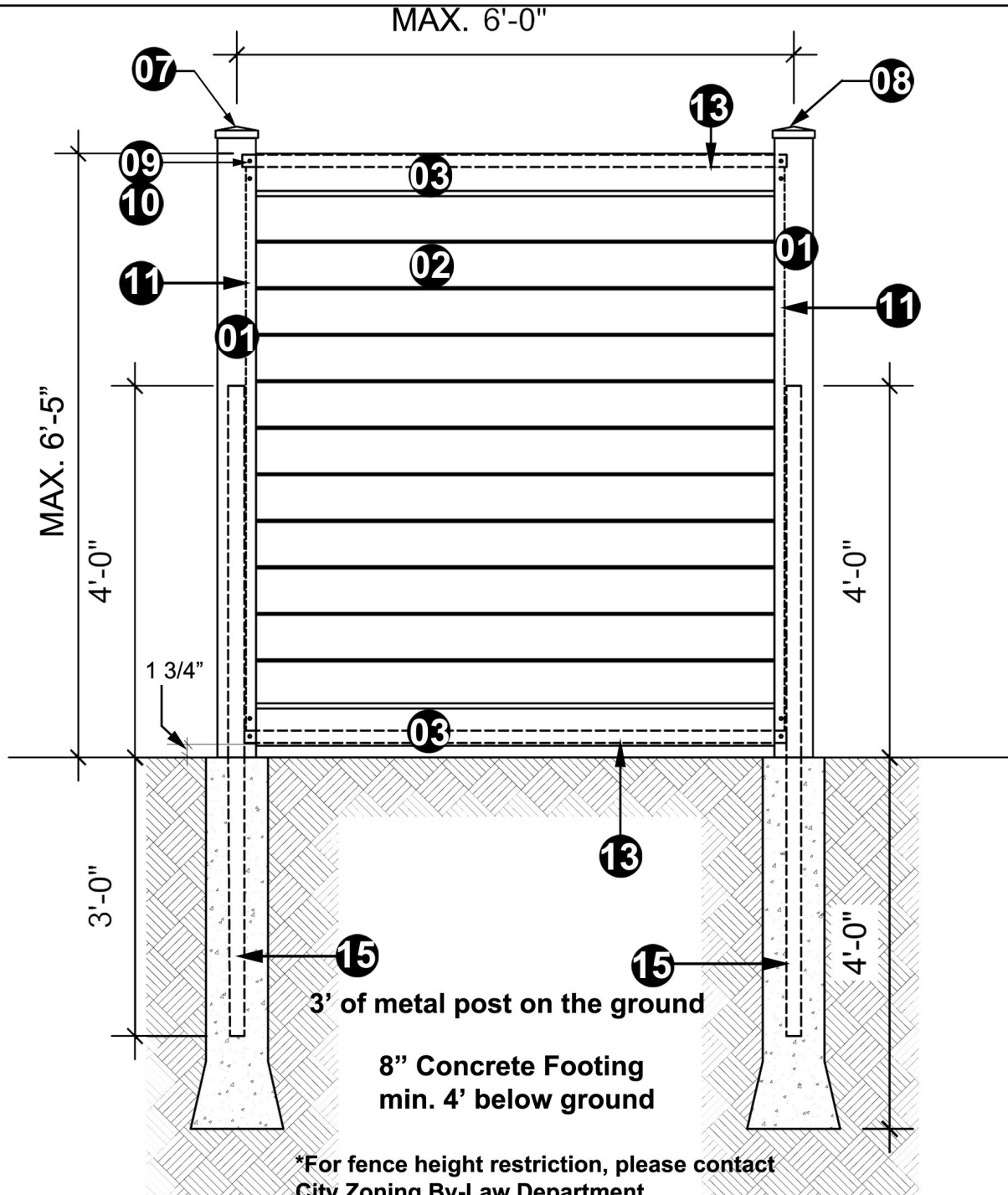
Green Teak

Chai Grey

Mocha Walnut

*For fence height restriction, please contact
City Zoning By-Law Department

VINYL FENCE - HORIZONTAL BOARDS INSTALLATION - 6'5" HIGH X 6' WIDE



- 01 - H-Post 5x5x9'
- 02 - Fence Board 6" x 70"
- 03 - Pocket Rail 94" - Top/Bottom
- 07 - Post Cap - Pyramid
- 08 - Post Cap-New England(Upgrade)
- 09 - Screw 1-1/2"
- 10 - Plug 3/8"
- 11- U-Channel for horizontal board installation
- 13 - Galvanized Steel Insert 94" (For Pocket Rail)
- 15 - Galvanized Pipe 1-7/8" x 7'

COLORS AVAILABLE

Monocolor:



Dark Gray



Khaki

Multicolor:



Green Teak



Chai Grey



Mocha Walnut

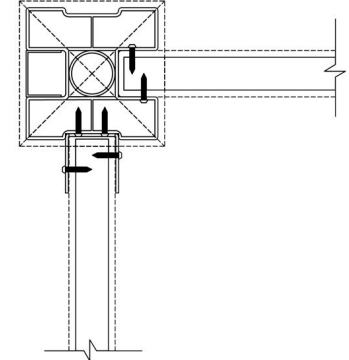
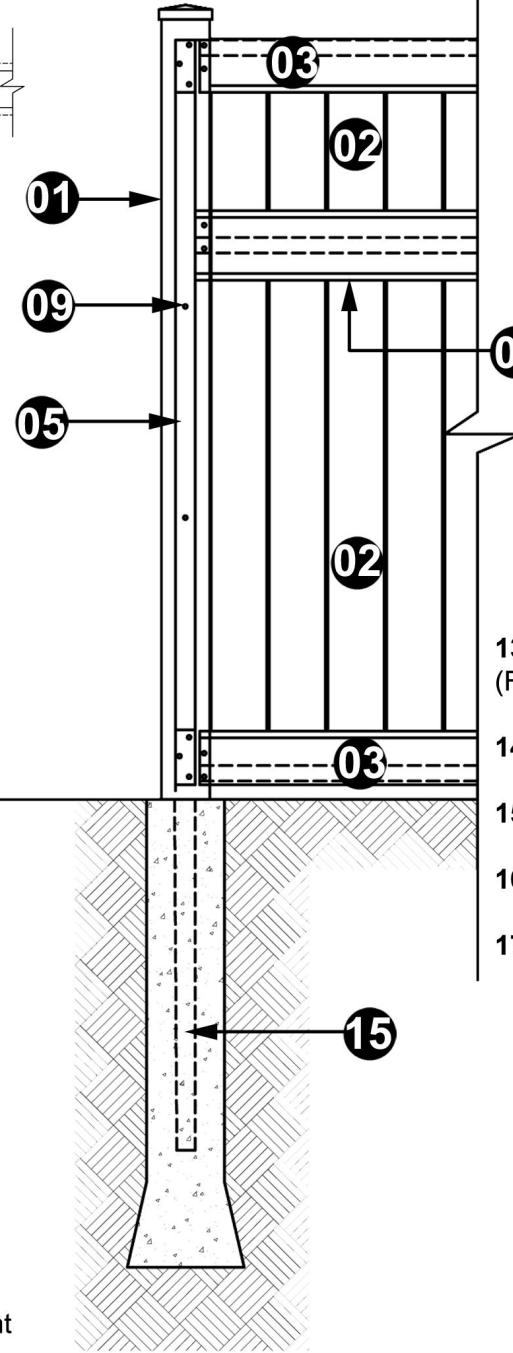
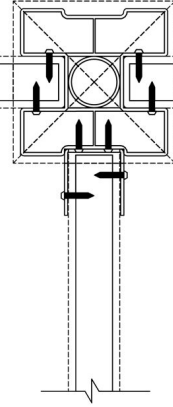
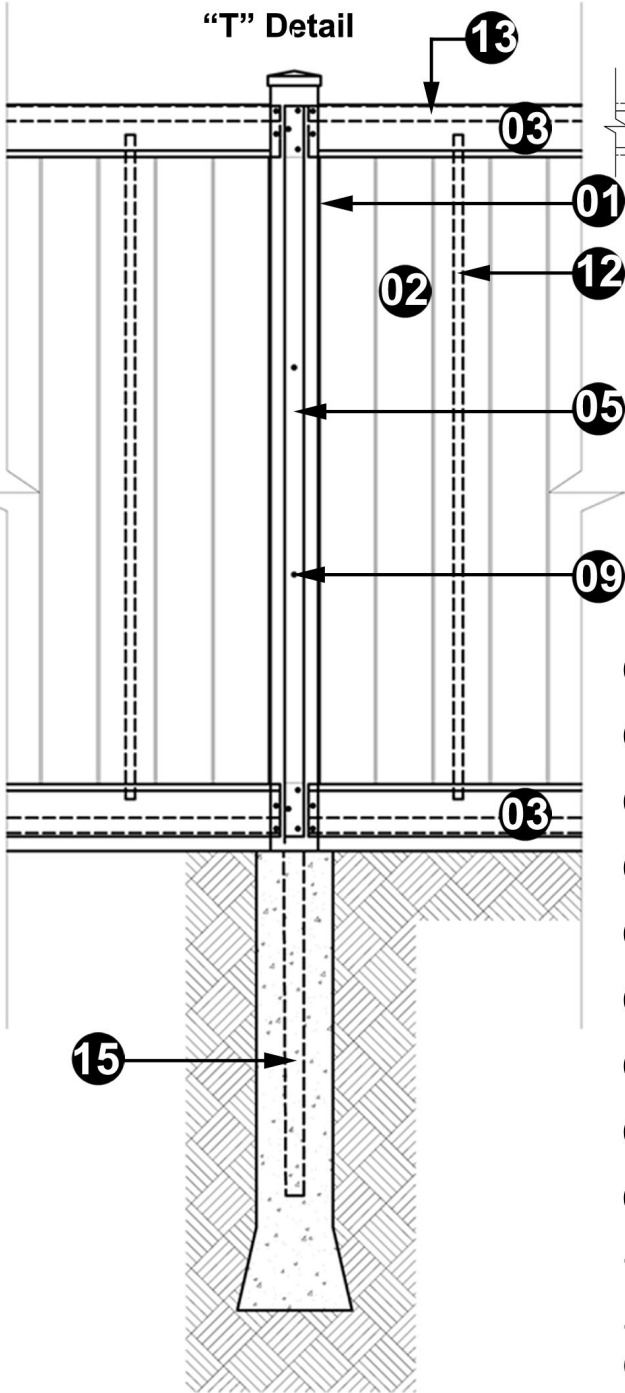
VINYL FENCE - DETAILS

"T" Detail

Top View of "T" Detail

"Corner" Detail

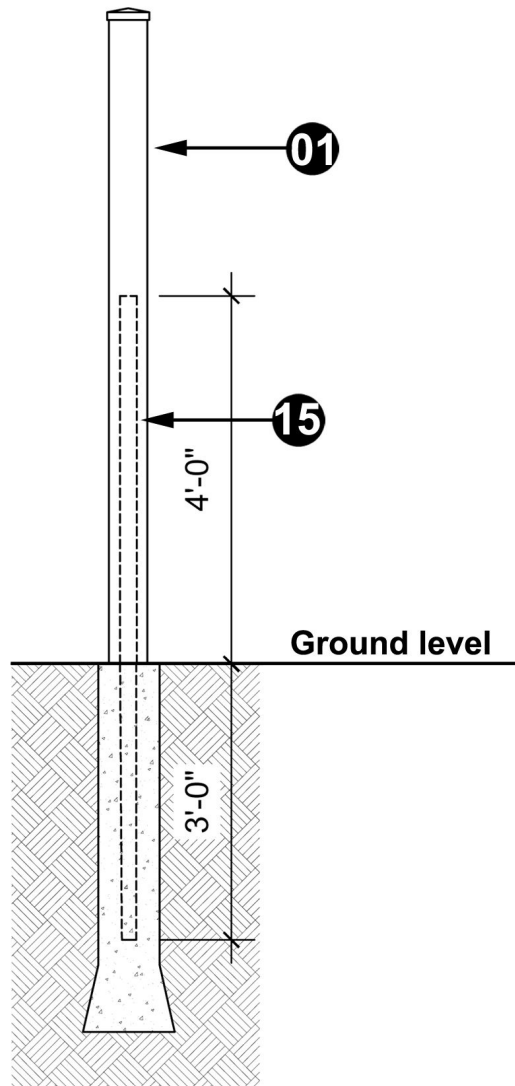
Top View "Corner" Detail



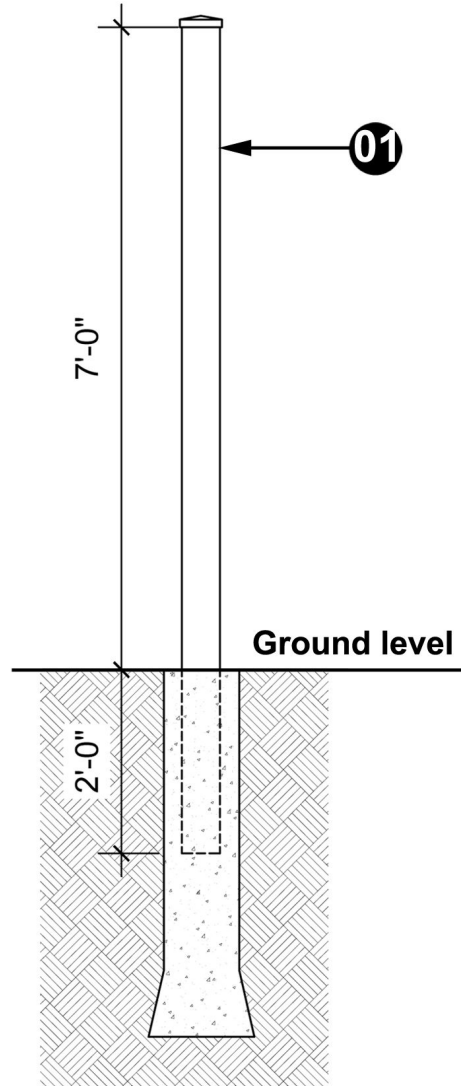
- 01 - H-Post 5x5x9'
- 02 - Fence Board 6" x 70"
- 03 - Pocket Rail 94" - Top/Bottom
- 04 - Pocket Rail 94" - Mid Rail
- 05 - U-Channel (for Corners and T's)
- 06 - Gorilla Post Insert
- 07 - Post Cap - Pyramid
- 08 - Post Cap - New England (Upgrade)
- 09 - Screw 1 1/2"
- 10 - Plug 3/8"
- 12- Metal Stiffener 68-3/4"
(For Fence Boards) Optional Reinforcement

- 13 - Galvanized Steel Insert 94"
(For Pocket Rail)
- 14 - Post Plate Side
- 15 - Galvanized Pipe 1-7/8" x 7'
- 16 - Gate Latch - 2 Sided
- 17 - Hinges - Adjustable Self Closing

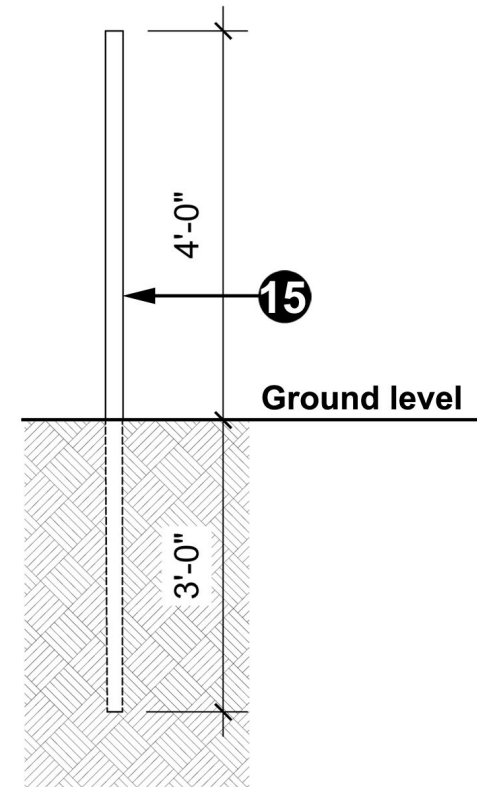
POST INSTALLATION OPTIONS



8" Concrete Footing
min. 4' below ground



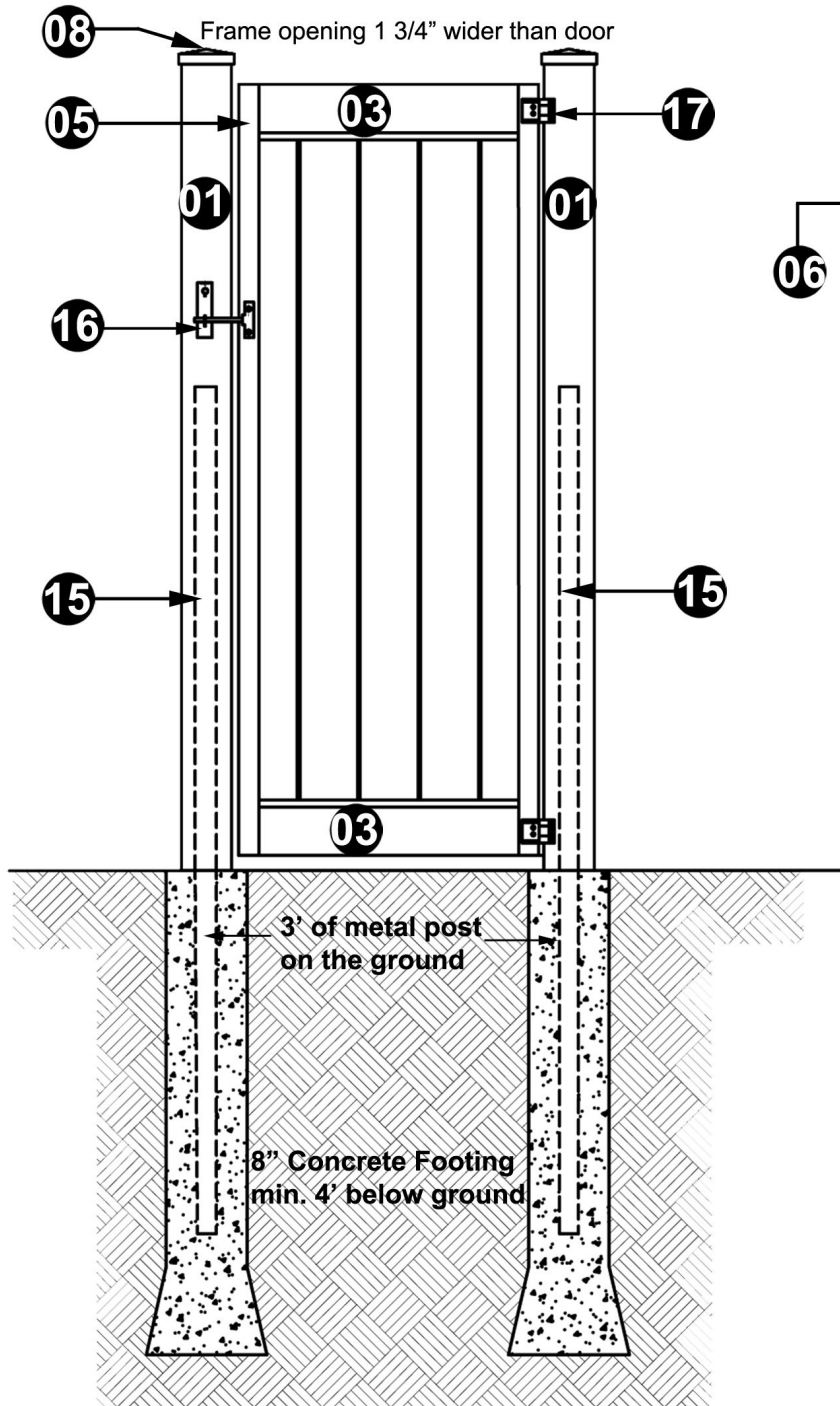
10" Concrete Footing
min. 4' below ground



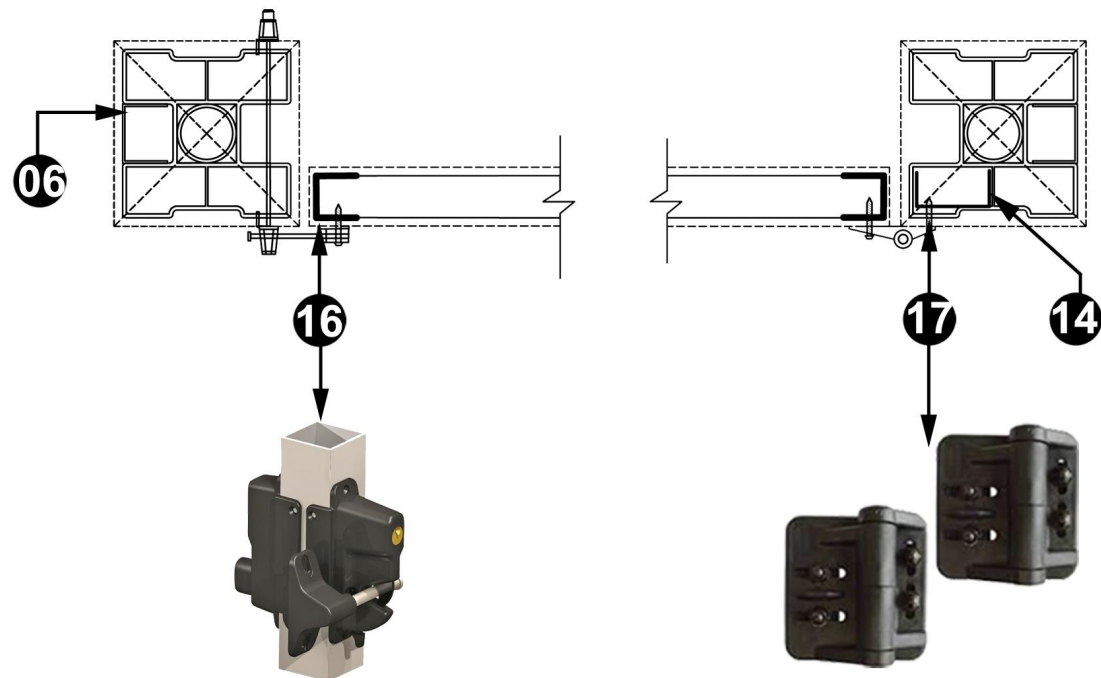
No Concrete foundation

Selecting the right fence post installation type and height is essential, take into account both municipality regulations and soil conditions. The choice between driving a pipe or setting it in with concrete or set the PVC fence post directly into concrete depends on various factors: Driving a pipe is quicker and easier but may be less stable in some soil types. Using concrete provides better stability and longevity, especially in soft or loose soils, but it requires more time and effort during installation, while driven posts are more suitable for rocky terrains. Consider the specific soil conditions, budget, and desired level of durability when making the decision.

VINYL GATE - VERTICAL BOARDS INSTALLATION - 6'5" HIGH X 3' WIDE - DETAIL



Top View of Gate Detail



16 - Gate Latch

17 - Hinges Adjustable Self Closing

- 01 - H-Post 5x5x9'
- 02 - Fence Board 6" x 70"
- 03 - Pocket Rail 94" - Top/Bottom
- 05 - U-Channel For Corners and T's
- 06 - Gorilla Post Insert
- 07 - Post Cap - Pyramid
- 08 - Post Cap - New England (Upgrade)
- 14 - Post Plate Side
- 15 - Galvanized Pipe 1-7/8" x 7'

*For gate height restriction, please contact City Zoning By-Law Department








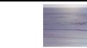


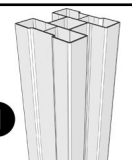

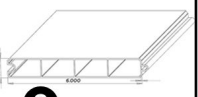
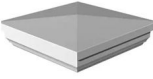


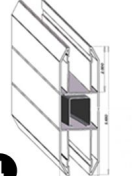

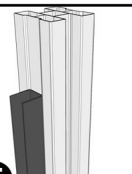
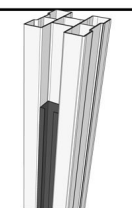

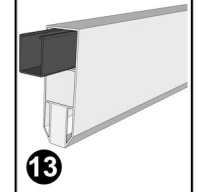
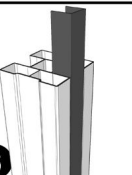
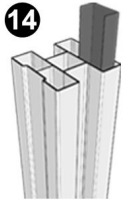
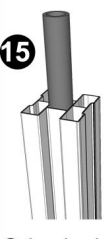


VINYL FENCE - 6'5" HIGH X 8' WIDE

MATERIAL LIST -

CLIENT NAME:

E-MAIL

TEL.

	 Dark Gray	 Khaki	 Chai Grey	 Green Teak	 Mocha Walnut		 Dark Gray	 Khaki	 Chai Grey	 Green Teak	 Mocha Walnut		
	Quantity	Quantity	Quantity	Quantity	Quantity		Quantity	Quantity	Quantity	Quantity	Quantity		
1  H-Post 5x5x9'	3189	3262	3227	3228	3247	7  Post Cap - Pyramid	3208	3269	3220	3235	3240		
2  Fence Board 6"x 70"	3203	3261	3225	3230	3245	8  Post Cap New England (Upgrade)	3207	3270	3221	3234	3241		
3  Pocket Rail 94" Top/Bottom	3202	3263	3226	3229	3246	9  Screw 1 1/2" (Pack of 50 pcs)	3209	3272	3219	3236	3239		
4  Pocket Rail 94" Mid Rail	3206		3222	3233	3242	10  Plugs 3/8" (Pack of 50 pcs)	3210	3273	3218	3237	3238		
5  U-Channel for corners and T's	3205	3267	3223	3232	3243	11  U-Channel for horizontal board installation	3320	12  Metal Stiffener 68-3/4" -For Fence Boards	3216	13  Galvanized Steel Insert 94" For Pocket Rail	3214		
6  Gorilla Post Insert	3204	3268	3224	3231	3244	14  Post Plate Side	3215	15  Galvanized Pipe 1 7/8" x 7"	3211	16  Gate Latch 2 Sided	3213	17  Hinges Adjustable Self Closing	3212